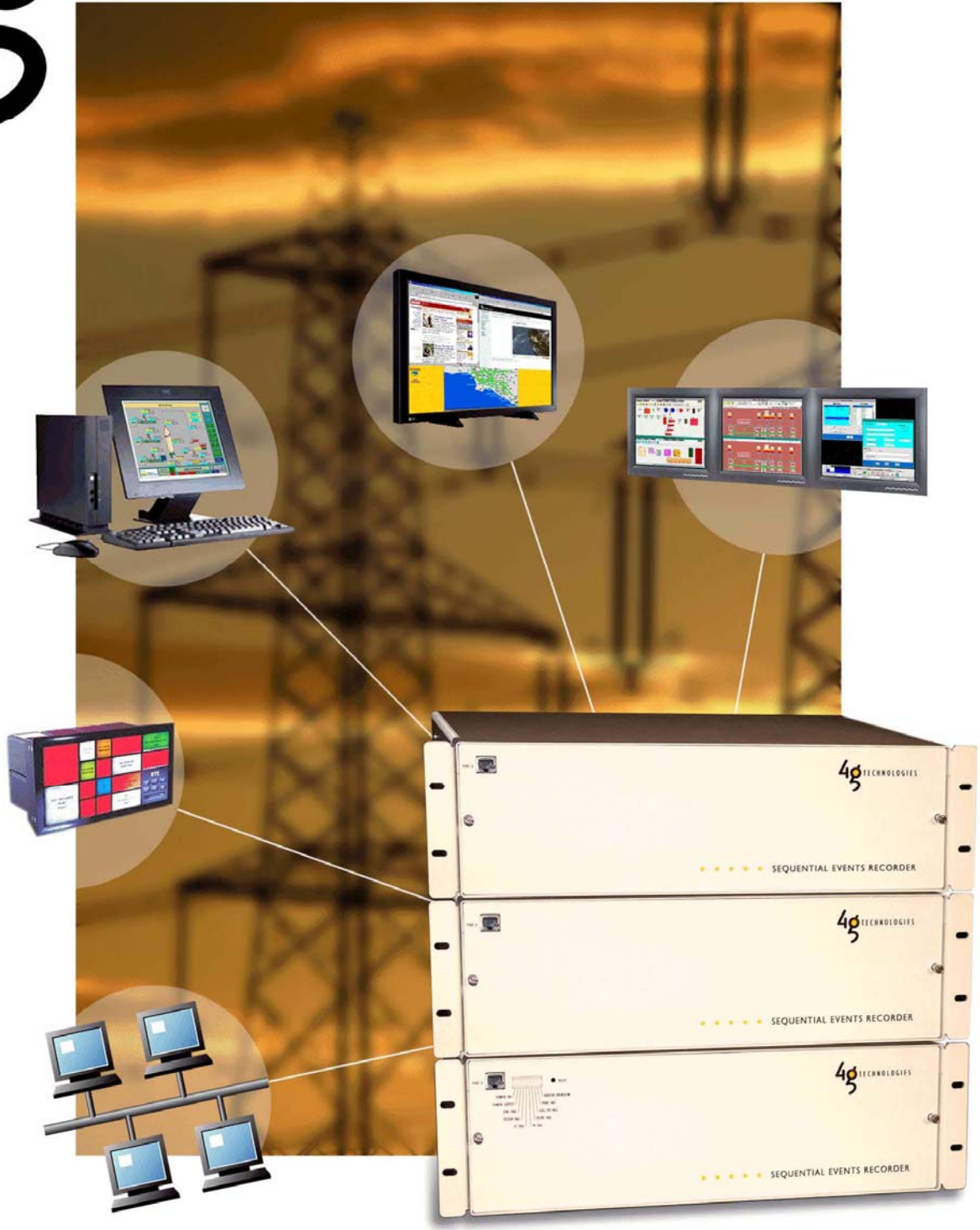


# 4g TECHNOLOGIES



● The next generation in Sequence of Events Recording.

The 4g Event Recorder and SER Web Interface are products of the 21<sup>st</sup> century and accordingly have the processing power, security and dependability you would expect. This family of event recording devices employs multiple types of memory to insure operating configuration, valuable event data and history is preserved until you need or request it. The 4g SER and SER Web Interface are modular, highly accurate and dependable. Some of the features include:

- Up to 5120 points or 20 chassis in a single SER system configuration
- Retrieves point configuration and alarm condition data
- Stores retrieved data in history files in tab delimited format for importing to a spreadsheet or word processor
- Configuration from PC with browser
- No special or extra hardware or software to buy.
- AC or DC, Internal or External Field Contacts
- Local and remote data retrieval
- Interfaces to existing event recorder\*
- Multiple platform interface
- Resident Apache web server
- 1mS or .1mS resolution
- 3 Ethernet connections
- 3 Configurable Serial Ports
- 8 output relays
- Per Point Debounce
- 80 character legends
- On board system diagnostics
- Repetitive Alarm Suppression
- Redundant System Configuration

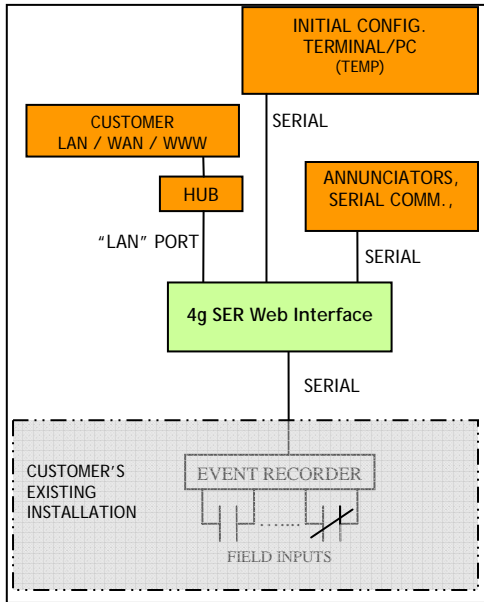


\*requires existing SER supports either Serial or Ethernet communications.

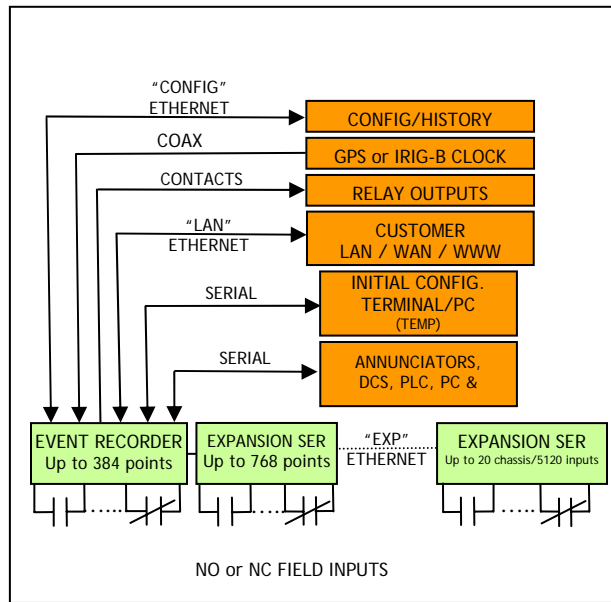
- Connects to existing Event Recorder
- Retrieves point configuration and alarm condition data
- Stores retrieved data in history files in tab delimited format for importing to a spreadsheet or word processor
- Configuration from PC with browser
- No special or extra hardware or software to buy.
- On board system diagnostics
- Local and remote data retrieval
- Multiple platform interface
- Resident Apache web server
- 2 Ethernet connection
- 3 Configurable Serial Ports
- 8 output relays



## BLOCK DIAGRAMS



SER WEB INTERFACE TYPICAL



SER 384 & SER 5120 TYPICAL

A collection of screenshots from the 4g Technologies Event Recorder web interface. The screens include:

- Home page with login information and contact details for 4g Technologies, L.P.
- 'NORTH HOLLYWOOD #2 Input Module Location Status Configuration' screen showing a grid of modules.
- 'NORTH HOLLYWOOD #1 Logon to the 4g Technologies Event Recorder' screen.
- 'NORTH HOLLYWOOD #2 History Report Specification' screen.
- 'NORTH HOLLYWOOD #2 Single Point Configuration Point Number 1' screen.
- 'NORTH HOLLYWOOD #5 Event History Report' screen displaying a table of events:

Status	Date	Time	Number	Description
ALR	10/16/03	22:17:59.9900	11	Alarm Legend 11
NOR	10/16/03	22:16:59.9900	11	MORE COMMUNICATION OPTIONS THAN ANYONE ELSE
ALR	10/16/03	22:15:59.9900	8	INTERSECTION OF THE TWO EXCLUSIONS
NOR	10/16/03	22:14:59.9900	8	THE HIGHEST RESOLUTION OF ANY SER ON THE MARKET
ALR	10/16/03	22:13:59.9900	8	THIS IS WHAT A 60 CHARACTER LEGEND LOOKS LIKE, MOORE JUDGE
ALR	10/16/03	22:12:59.9900	8	THIS IS WHAT A 65 CHARACTER LEGEND LOOKS LIKE
NOR	10/16/03	22:11:59.9900	8	MODELER DESIGN WITH 32 TO 384 POINTS PER CHASSIS AND 5120 POINTS PER SYSTEM
NOR	10/16/03	22:10:59.9900	25	Alarm Legend 25
NOR	10/16/03	22:09:59.9900	25	UNIT #1 DOORBREAKER CONTROL NORMAL
NOR	10/16/03	22:08:59.9900	25	UNIT #3 OIL PRESSURE HIGH
NOR	10/16/03	22:07:59.9900	25	UNIT #1 OIL PRESSURE NORMAL
ALR	10/16/03	22:06:59.9900	25	Alarm Legend 25

- 'Disabled Points' screen showing a list of points and their descriptions.
- 'Suppressed Alarm Points' screen showing a list of points and their descriptions.
- 'Diagnostic Alarms' screen showing a list of points and their descriptions.
- 'Failed Input Modules' screen showing a list of points and their descriptions.
- 'Active Relays' screen showing a list of points and their descriptions.

SAMPLE SCREENS

