



FORCE & TORQUE MEASUREMENT  
ISO 9001 & ISO/IEC 17025 ACCREDITED

# Vertical Lever Test Stand

	with distance meter	without distance meter
Compression Tester	LV-220CS	LV-220C
Tension Tester	LV-220TS	LV-220T

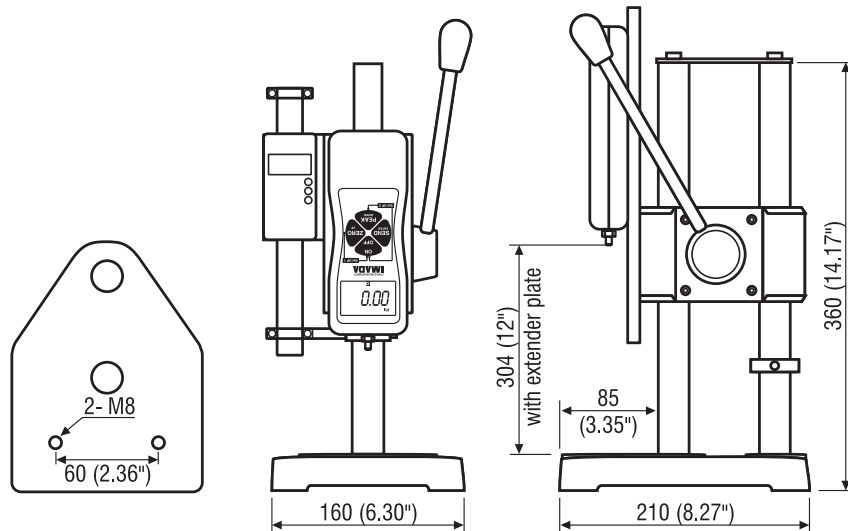
- Maximum load 220 lbf (100 kgf)
- Stroke 2"
- Maximum clearance 7"  
(or 12" with optional extender plate)

Distance Meter Specifications	
Display	Push button for inch/mm, zero set and on/off
Resolution	0.0005"/0.01mm
Accuracy	0.1% of reading or 0.005"/0.1mm, whichever is greater

Model LV-220S/LV-220 Vertical Manual Lever Test Stands provide maximum versatility and reliability. LV-220S is equipped with a precision digital distance meter. The stands will accommodate any of the standard range Imada force gauges. The optional extender plate increases clearance to 10" for larger samples. LV-220/LV-220S are perfect for crimp tests and other applications. Lever action provides quick, consistent testing.

The compression version (C Type) employs a return spring for easier sample placement and convenience in testing.

**AP-002 Adapter Plate** is available to mount most other force gauges to IMADA test stands.



Specifications subject to change without notice.



LV-220 with digital distance meter. DPS gauge and AA-55 compression plate are sold separately.



LV-220 with optional extender plate. DPS gauge and mounting adapter are sold separately.



Visit us @ [www.technical-sys.com](http://www.technical-sys.com)  
eXpanding possibilities through  
Measurement