

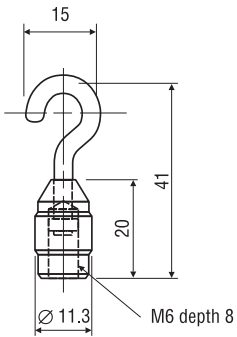
Standard Attachments 'S' Series

for FB, PS, DS2, Z2 and ZP Force Gauge Kits

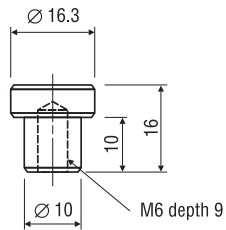


PS and Z kits include all attachments.
FB and DPS kits include all except
large hook and Y-hook.
Series 'S' 110 lbs max.

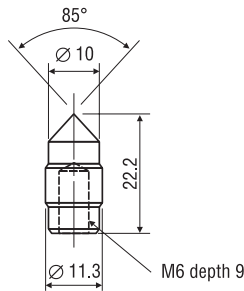
Specifications subject to change without notice.



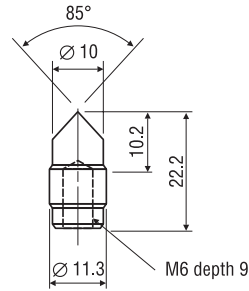
S-1 Small Hook (13g)



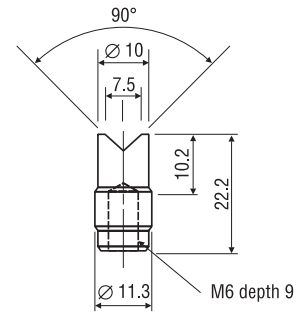
S-2 Flat Tip (13g)



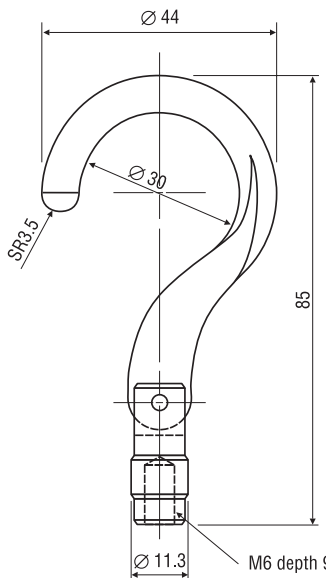
S-3 Conical Tip (10g)



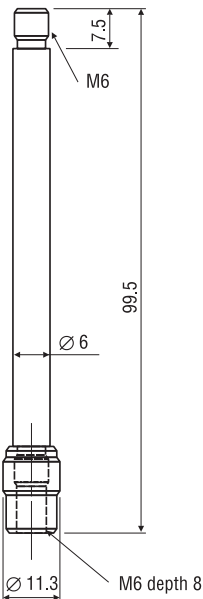
S-4 Chisel Tip (11g)



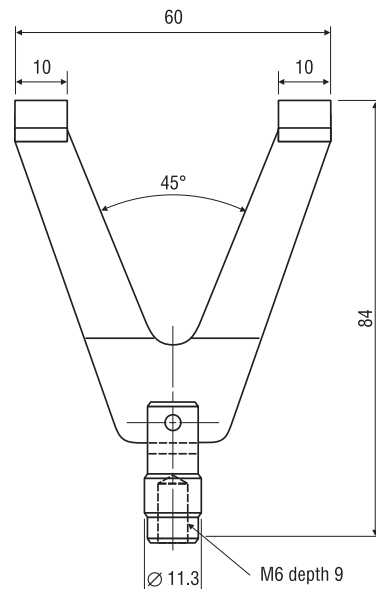
S-5 Notched Tip (11g)



S-7 Large Hook (44g)



S-6 Extension Shaft (27g)



S-8 Y Hook (58g)