



NK Technologies

techniCAL



MADE IN USA

AS3 Series Current Operated Switches provide the same dependable indication of status offered by the AS1, but with the added benefit of increased setpoint accuracy. A choice of three, jumper-selectable input ranges allows the AS3 to be tailored to an application, providing more precise control through improved setpoint resolution. Self-powering, isolated solid-state outputs, 1–6A, 6–40A and 40–200A input ranges, and a choice of split- or solid-core enclosures are standard.

Features

Choice of N.O. or N.C. Solid State Outputs

- 1A @ 240VAC, 0.15A @ 30VDC.
- 15A @ 120VAC (-15 model).
- 3A @ 120VAC output optional, consult factory.

Self-powered

- Cuts installation and operating costs.

Easily Adjustable Setpoint

- Speeds startup.

Solid or Split-core Case

- Choose the appropriate version for each installation.

LED Indicator

- Provides quick visual indication of contact status.

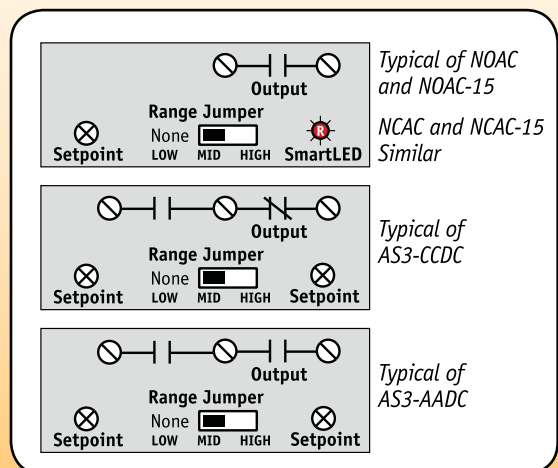
Built-in Mounting Feet

- Provides the secure installation inspectors require.

UL, CUL and CE Approval

- Accepted worldwide.

Connections



Note: Terminals are #6 screws.
DC contacts are polarity sensitive.

AS3 SERIES
Current Operated Switches

Applications

Electronic Proof of Flow

- No need for pipe or duct penetrations.
- More reliable than electro-mechanical pressure or flow switches.

Conveyors

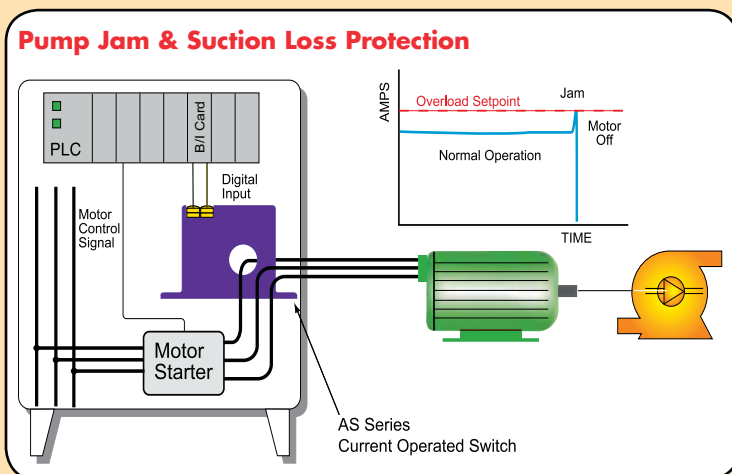
- Detects jams and overloads.
- Interlocks multiple conveyor sections.

Lighting Circuits

- Easier to install and more accurate than photocells.

Electrical Heaters

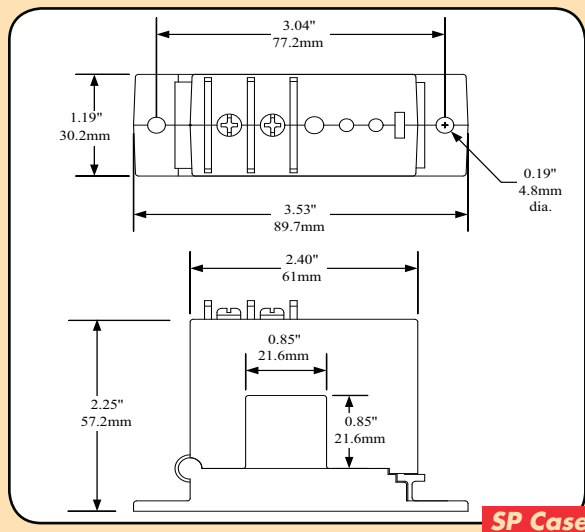
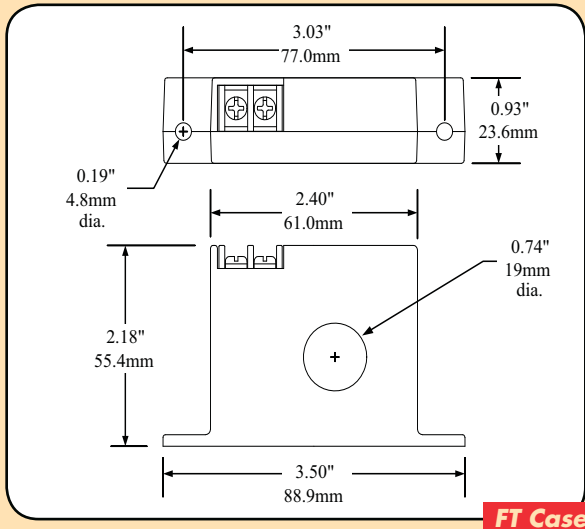
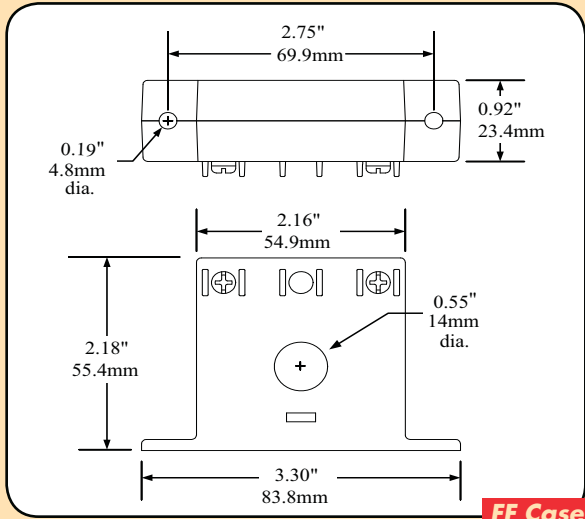
- Faster response than temperature sensors.





NK Technologies

Dimensions



Specifications

Power Supply	None—Self-powered		
Output	Isolated Solid-state Switch; Shared Common (CCDC)		
Output Rating	<ul style="list-style-type: none"> ● 1.0A @ 240VAC (Standard AC Units) ● 0.15A @ 30VDC (Standard DC & Multi-pole Units) ● 15A @ 120VAC, 10A @ 240VAC (-15 Option) ● 3.0A @ 120VAC* (-FT only) 		
Off State Leakage	<ul style="list-style-type: none"> ● NOAC: <10µA ● NCAC: 2.5mA ● AADC: <10µA 	<ul style="list-style-type: none"> ● NODC: <10µA ● NCDC: 1.4mA ● CCDC: 0.3mA (NC Terminal) 	
Response Time	40–120ms		
Setpoint Range	<ul style="list-style-type: none"> ● Solid-core: 1–6, 60–40 & 40–175A ● Split-core: 1.75–6, 60–40 & 40–200A 		
Hysteresis	Low: 0.15A, Mid: 0.3A, High: 0.9A		
Overload	Range	6 Sec	1 Sec
	<ul style="list-style-type: none"> ● 1–6A ● 6–40A ● 40–175A 	<ul style="list-style-type: none"> ● 400A ● 500A ● 800A 	<ul style="list-style-type: none"> ● 600A ● 800A ● 1,200A
Isolation Voltage	UL Listed to 1,270VAC, tested to 5,000VAC		
Frequency Range	6–100Hz		
Sensing Aperture	<ul style="list-style-type: none"> ● -FF Case: 0.55" (14mm) dia. ● -FT Case: 0.74" (19mm) dia. ● -SP Case: 0.85" (21.6mm) sq. 		
Case	UL94 V0 Flamability Rated		
Environmental	-58 to 122°F (-50 to 50°C) 0–95% RH, non-condensing		
Listings	UL 508 Industrial Control Equipment (USA & Canada), CE		

*N.O./N.C. 3A @ 120VAC output please consult factory.



Ordering Information

Sample Model Number: AS3-NOAC-SP-NL

Adjustable AC current operated switch, normally open AC contacts, split-core, without indicating LED.



(1) Output Rating

NOAC	Normally Open, 1A @ 240VAC
NCAC	Normally Closed, 1A @ 240VAC
NODC	Normally Open, 0.15A @ 30VDC
NCDC	Normally Closed, 0.15A @ 30VDC
AADC	Dual, Normally Open, 30VDC (-FF only)
CCDC	"Super" Form C SPDT, 0.15A @ 30VDC (-FF only)

(2) Case Style

FF	Solid-core, Front Term.
SP	Split-core
FT	Solid-core, Top Term.**

**Available with 3A @ 120VAC output only.

(3) Options

NL	No LED
15	15A @ 120 VAC (-FF only)

*N.O./N.C. 3A @ 120VAC output please consult factory.