



ASX Series Current Operated Switches are high performance current-operated switches with field-adjustable time delay to help minimize nuisance trips during start-up and operation. Designed for motor status applications where setpoint accuracy and repeatability are critical, the ASX Series offers a linear setpoint characteristic and constant hysteresis. Standard features include self-powering, jumper-selectable ranges and a choice of outputs and cases.

ASX SERIES

Current Operated Switches

Applications

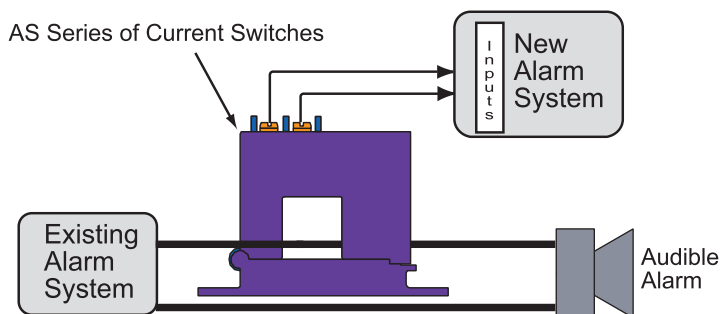
Motor Protection

- Serves as an electronic proof-of-operation; detects current draw changes in motors when they encounter problems such as pumps running dry or pending bearing failure.
- Non-intrusive, less expensive to install than differential pressure flow sensors or thermal switches.
- Much quicker response time than Class 10 overload relays.

High Inrush or Temporary Overload Current

- Adjustable start-up/delay timer allows 0–15 second delay to eliminate nuisance trips from high inrush or short overload conditions.

Isolated Alarm System Interfacing



Features

Adjustable Start-up/Delay Timer

- Field-adjustable from 0–15 seconds to eliminate nuisance alarms due to start-up inrush or temporary overcurrent conditions.

Choice of N.O./N.C. AC or Universal Outputs

- Contact ratings of 1.0A @ 240VAC or universal outputs of 0.15A @ 240VAC/VDC (N.O. models) and 0.2A @ 135VAC/VDC (N.C. models) for use with most standard motor control systems.

Improved Ease of Installation and Use

- 1.0A AC rating eliminates need for time delay relay.
- Self-powered, split-core models simplify installation.
- Status LED provides visual indication of setpoint trip and contact action.

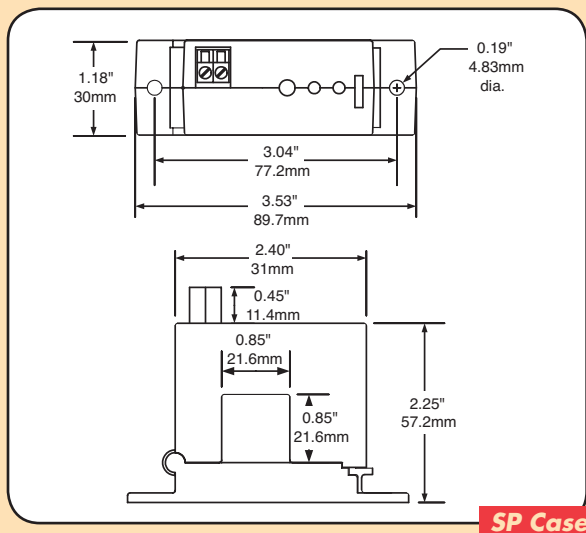
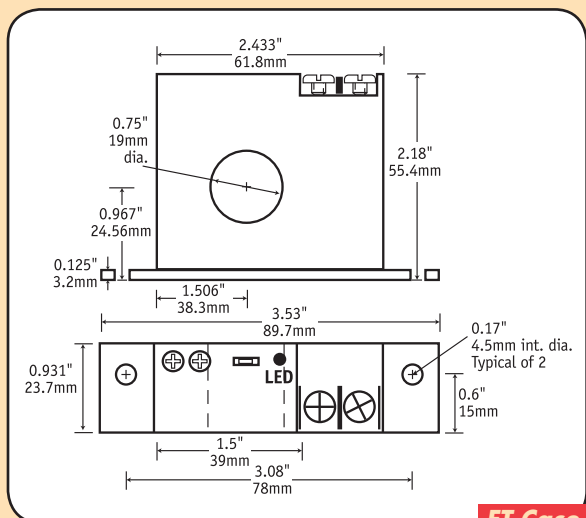
Industrial Grade Performance

- Constant hysteresis and linear response characteristic enhance setpoint accuracy.

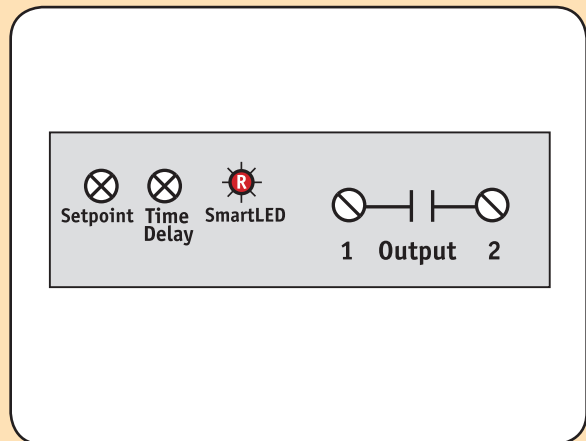
Agency Approved

- UL listed, CE pending.

Dimensions



Connections



Specifications

| | |
|--------------------------|---|
| Power Supply | None—Self powered |
| Output | Isolated Solid-State Switch |
| Output Rating | <ul style="list-style-type: none"> ● NOAC/NCAC: 1A @ 240VAC ● NOU: 0.15A @ 240VAC or VDC ● NCU: 0.2A @ 135VAC or VDC |
| Off State Leakage | <10 micro Amps |
| Response Time | Adjustable 0.2 to 15 Seconds |
| Setpoint Range | Jumper Selectable: 1.5–12A, 12–55A, 50–200A |
| Hysteresis | 5% (constant) |
| Overload | <ul style="list-style-type: none"> ● 1.5–12A Range: 600A ● 12–55A Range: 800A ● 50–200A Range: 1,200A |
| Isolation Voltage | 5,000VAC (tested) |
| Frequency Range | 50–100Hz |
| Case | UL94 V0 Flammability Rated |
| Environmental | 5 to 122°F (-15 to 50°C) 0–95%RH, non-condensing |
| Listings | UL 508 Industrial Control Equipment (USA & Canada), CE pending. |



Ordering Information

Sample Model Number: ASX-NOAC-SP
 Current Switch w/adjustable time delay, N.O. 1.0A @ 240VAC output, jumper selectable input ranges, split-core enclosure.

ASX - (1) - (2)

(1) Output Type

| | |
|------|------------------------------------|
| NOAC | Normally Open, 1A @ 240VAC |
| NCAC | Normally Closed, 1A @ 240VAC |
| NOU | Normally Open, 0.15A @ 240VAC/VDC |
| NCU | Normally Closed, 0.2A @ 135VAC/VDC |

(2) Case Style

| | |
|----|------------|
| FT | Solid-core |
| SP | Split-core |