



ATP Series Powered Current Transducers sense currents from 0–200A and provide a proportional analog VDC or mA output. Powered by 120VAC or 24VAC/VDC, the ATP Series eliminates the need for costly power supplies or voltage rectifiers inside the control panel. Designed for motor control applications with standard sinusoidal waveforms, the ATP features user-selectable input ranges, a choice of outputs and split-core or solid-core enclosures.

ATP SERIES Current Transducers

Applications

Commercial and Industrial Motor Control Centers

- 120VAC power supply option allows for powering off of readily available supplies; ideal for pumping, water/wastewater, boiler and other industrial applications.
- Eliminates the need for 24VDC power supply or AC rectifiers within the control panel; saves space, material and labor associated with power supplies.

Features

Fast, Accurate RMS Measurement

- Unique 'average responding' algorithm provides RMS output on pure sine wave and constant speed loads, offering improved accuracy over two-piece solutions.

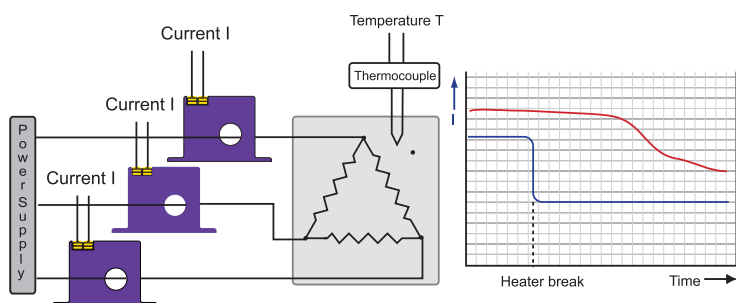
Jumper Selectable Input Ranges

- Each unit has multiple input range capability and can be used for a variety of applications, reducing the need for separate models.

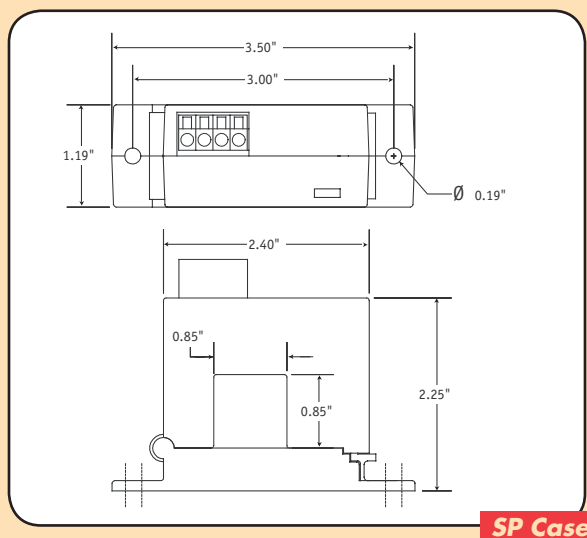
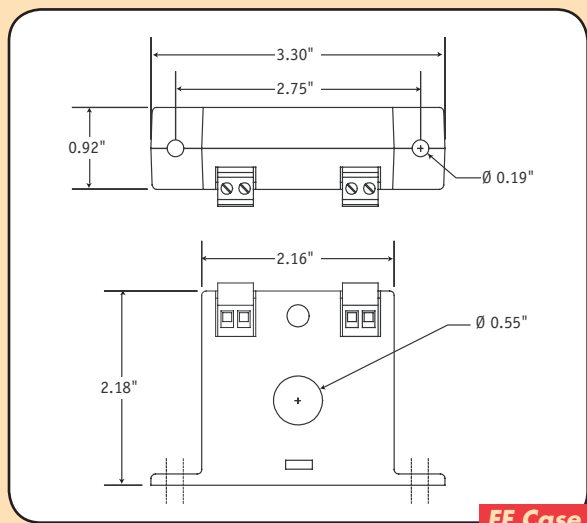
Isolation Output

- Output is magnetically isolated from the input for enhanced safety and elimination of insertion losses.

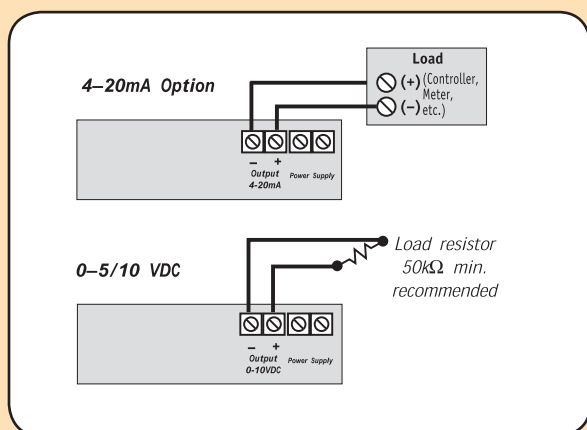
Heater Failure Detection



Dimensions



Connections



Notes: Terminals are deadfront captive screw terminals.
Use 12-22 AWG solid or stranded.

Specifications

	-005 Model	-010 Model	-420 Model
Output Signal	0-5VDC	0-10VDC	4-20mA
Output Limit	112% (5.6V)	112% (11.2V)	112% (22.4mA)
Loading (min.)	50KΩ min.-500KΩ max.		
Response Time	100ms (10-90% step change)		
Frequency Range	40-100 Hz standard. Special calibration for frequencies 100-400Hz, consult factory.		
Accuracy	<ul style="list-style-type: none"> ● Solid-core: <0.5% ● Split-core: 1% 		
Power Supply	120VAC or 24VAC/VDC, 2VA max		
Isolation Voltage	1,270VAC (tested to 5KV)		
Input Ranges	0-200A Jumper-selectable		
Sensing Aperture	<ul style="list-style-type: none"> ● -FF Case: 0.55" (14mm) dia. ● -SP Case: 0.85" (21.6mm) sq. 		
Case	UL94 V0 Flammability Rated		
Environmental	5 to 122°F (-15 to 50°C) 0-95% RH, non-condensing		

Ordering Information

Sample Model Number: ATP1-420-120-SP
Powered AC current transducer, jumper-selectable 0-10/20/50A range, 4-20mA output, 120VAC power supply, split-core enclosure.



(1) Full Scale Range

0	2A & 5A
1	10, 20, 50A
2	100, 150, 200A

(2) Output Signal

005	0-5VDC
010	0-10VDC
420	4-20mA

(3) Power Supply

120	120VAC
24U	24VAC/DC with isolated output

(4) Case Style

FF	Solid-core
SP	Split-core