

Low Speed Precision Tachometer

Model EHT-500

The EHT-500 tachometer features exceptional resolution at low speeds, statistics and is the smallest tachometer of this type. Use it as a lengthmeter with the optional 12" wheel. It is built with a durable metal housing and operates on standard AA batteries.

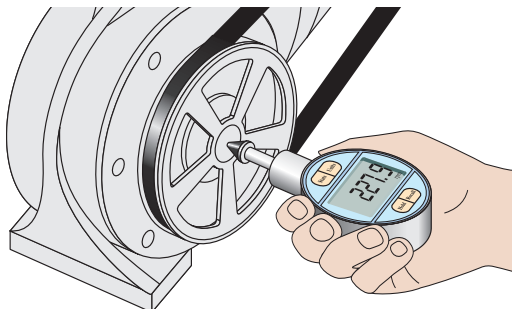
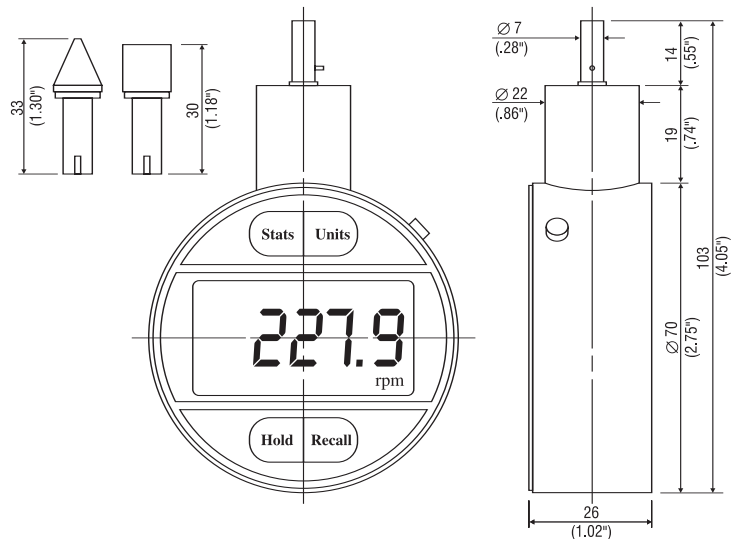
- Auto measuring range of 0 to 20,000 rpm with up to 0.01 rpm resolution up to 2,000 fpm using the optional 12" wheel
- Four measuring modes: Real time, maximum, minimum and mean
- 12 different measuring units: rpm, fpm, ipm, mpm, ypm, cpm, inch, yard, feet, meter, centimeter and total revolutions
- Last reading recall and 19 data memory
- Auto statistics: Max, Min and Mean
- Easy-to-read 5 digit 0.47" (12 mm) high LCD
- Low battery indicator
- Rugged metal housing – weighs only 0.4 lb (200 g)
- Includes two convex tips, one concave tip, three AA batteries and carrying case.
- Optional 12" wheel available.



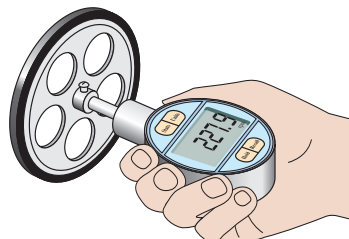
EHT-500 Kit



Specifications	
Range	Resolution
0.40 to 99.99 rpm	0.01rpm
100.0 to 9999.9 rpm	0.1rpm
10000 to 20000 rpm	1 rpm
Accuracy	±0.007%, ±1 LSD
Display	12mm high, 5digit LCD
Battery	Three AA
Battery Life	100 hours, continuous use
Operating Temp	0 to 45° C
Weight	200 g (with batteries)



Measure speed or revolutions



Measure surface speed and distance
with optional 12" wheel