

ProComSol, Ltd
Process Communications Solutions

technical
CAL

www.technical-sys.com
1-86-MEASURE-1 (1-866-327-0731)

expanding possibilities

BR2-KIT

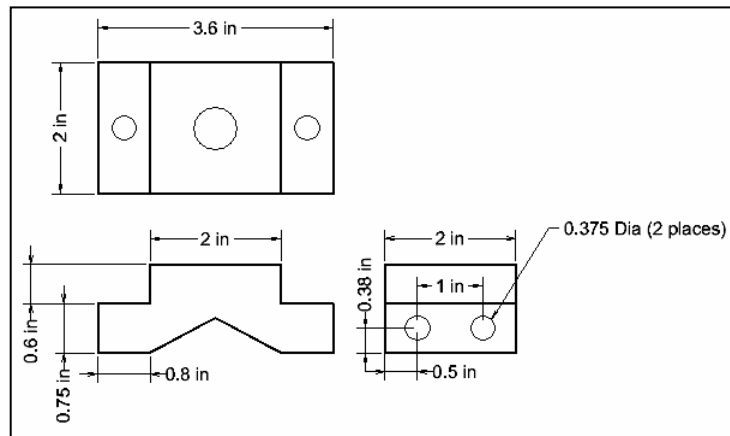
Bracket Kit, 2 Inch Pipe

Feature Highlights:

- Designed for use with the HM-BT-VIN
- Mount the HM-BT-VIN directly to 2" piping
- 0.375" (9.5mm) holes for alternate mounting schemes
- Size 3.6" x 2.0" x 1.35" (91mm x 51mm x 34mm)
- 0.075" (2mm) thick stainless steel
- 1 Year warranty



Kit Contents



Bracket Dimensions

www.technical-sys.com